



# OYSTER CREEK COLLECTION



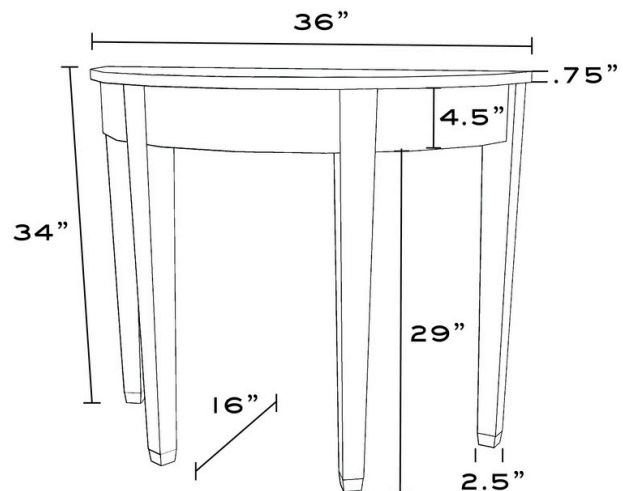
Finish Shown: White Oak

## DEDE DEMILUNE (SMALL)

All OCC case goods are crafted from the highest quality locally sourced wood, including walnut, birch, and poplar. For unique shapes that require it, we also use plywood and MDF panels. We finish our pieces with fine wood veneers that enhance their exceptional quality and appearance. As each item is handcrafted, there may be a 1"-2" variance in size.

### DETAILS

- 36W X 16D X 34H Small
- 60W X 16D X 34H Large
- Comes in high gloss paint, walnut, white oak, and burl wood





# OYSTER CREEK COLLECTION



Finish Shown: White Oak

## DEDE DEMILUNE (LARGE)

All OCC case goods are crafted from the highest quality locally sourced wood, including walnut, birch, and poplar. For unique shapes that require it, we also use plywood and MDF panels. We finish our pieces with fine wood veneers that enhance their exceptional quality and appearance. As each item is handcrafted, there may be a 1"-2" variance in size.

### DETAILS

- 36W X 16D X 34H Small
- 60W X 16D X 34H Large
- Comes in high gloss paint, walnut, white oak, and burl wood

