



# OYSTER CREEK COLLECTION



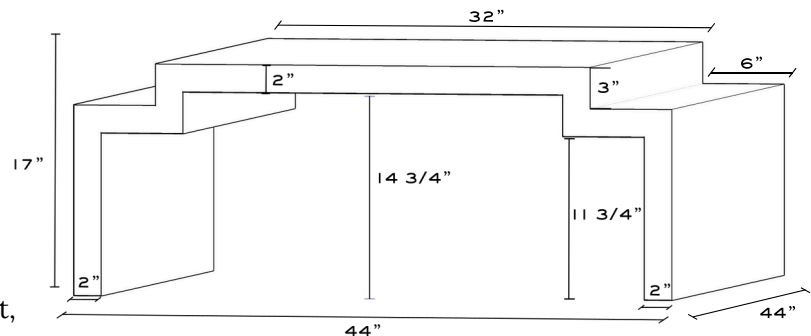
Finish Shown: Burl Wood - Mappa Golden Oak

## KATE COFFEE TABLE

All OCC case goods are crafted from the highest quality locally sourced wood, including walnut, birch, and poplar. For unique shapes that require it, we also use plywood and MDF panels. We finish our pieces with fine wood veneers that enhance their exceptional quality and appearance. As each item is handcrafted, there may be a 1"-2" variance in size.

### DETAILS

- 44W X 24D X 17H Rectangle
- 44W X 44D X 17H Square
- Available in high gloss paint, walnut, white oak, and burl wood





# OYSTER CREEK COLLECTION



Finish Shown: Burl Wood - Mappa Golden Oak

## KATE COFFEE TABLE

All OCC case goods are crafted from the highest quality locally sourced wood, including walnut, birch, and poplar. For unique shapes that require it, we also use plywood and MDF panels. We finish our pieces with fine wood veneers that enhance their exceptional quality and appearance. As each item is handcrafted, there may be a 1"-2" variance in size.

### DETAILS

- 44W X 24D X 17H Rectangle
- 44W X 44D X 17H Square
- Available in high gloss paint, walnut, white oak, and burl wood

